

# DMD 831



## Differential Pressure Transmitter with Display and Contact for Fluids and Gases

- ▶ 2 piezoresistive stainless steel sensors
- ▶ differential pressure from 0 ... 1 bar up to 0 ... 70 bar
- ▶ display mode selectable: P+, P-, ΔP
- ▶ display and pressure ports rotatable



### Technical Data

Input pressure range								
Nominal pressure <sup>1</sup>	[bar]	1	2	3.5	7	20	35	70
Differential pressure range	[bar]							
	TD 1:1	0 ... 1	0 ... 2	0 ... 3.5	0 ... 7	0 ... 20	0 ... 35	0 ... 70
	up to	up to	up to	up to	up to	up to	up to	up to
	TD 1:10	0 ... 0.1	0 ... 0.2	0 ... 0.35	0 ... 0.7	0 ... 2	0 ... 3.5	0 ... 7
<sup>1</sup> nominal pressure corresponds to the maximal permissible static pressure (one-sided)								
Analogue signal / Supply								
Standard	3-wire: 4 ... 20 mA				24 V <sub>DC</sub> ± 10 %			
Permissible load	500 Ω							
Accuracy <sup>2</sup>	≤ ± 1 % BFSL							
<sup>2</sup> accuracy according to IEC 60770 (non-linearity, hysteresis, repeatability)								
Contact								
Number, type	standard: 1 PNP				option: 2 independent PNP			
Max. switching current	125 mA, short-circuit proof							
Switching accuracy <sup>2</sup>	≤ ± 0.5 % FSO							
Repeatability	≤ ± 0.1 % FSO							
Switching cycles	> 100 x 10 <sup>6</sup>							
Delay time	0 ... 100 sec							
Programming								
Adjustability	analogue output / contact refers to: pressure "P+" or pressure "P-" or pressure difference turn-down: max. 1:10							
Thermal error <sup>3</sup> (offset and span) / Permissible temperatures								
Tolerance band	≤ ± 1.5 % FSO							
TC, average	± 0.2 % FSO / 10 K							
In compensated range	0 ... 70 °C							
Permissible temperatures	medium:		-40 ... 125 °C		electronics / environment:		-25 ... 85 °C	
	storage:		-40 ... 85 °C					
<sup>3</sup> relating to nominal pressure range								
Electrical protection								
Short-circuit protection	permanent							
Reverse polarity protection	no damage, but also no function							
Electromagnetic compatibility	emission and immunity according to EN 61326							

# DMD 831

Differential Pressure Transmitter

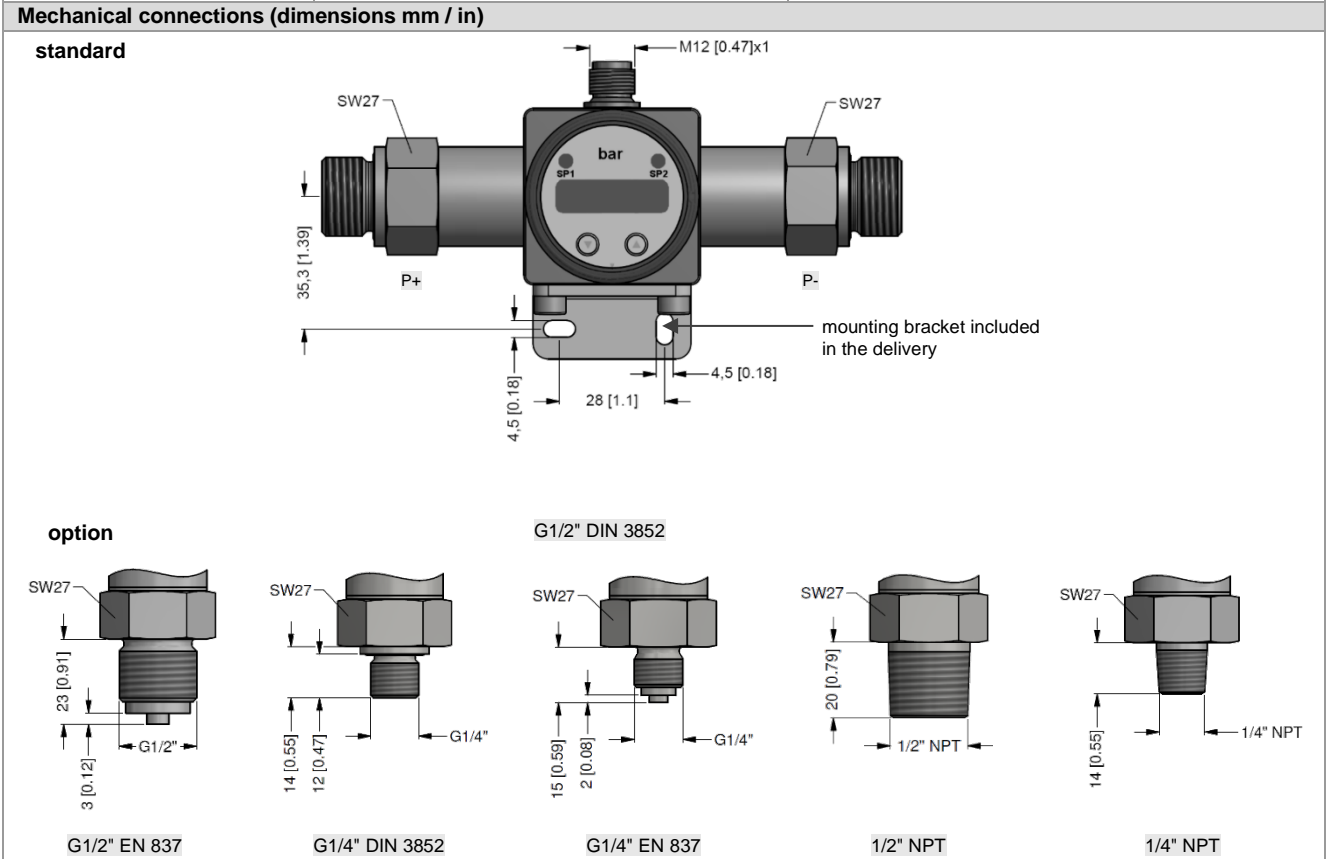
Technical Data

Mechanical stability		
Vibration	10 g RMS (20 ... 2000 Hz)	according to DIN EN 60068-2-6
Shock	100 g / 11 msec	according to DIN EN 60068-2-27
Materials		
Pressure port	stainless steel 1.4404 (316L)	
Housing	PA 6.6, Polycarbonate	
Seals	FKM	others on request
Diaphragm	stainless steel 1.4435 (316L)	
Media wetted parts	pressure port, seals, diaphragm	
Miscellaneous		
Display	4-digit, red LED-display, digit size 7 mm; range of indication -1999 ... +9999; accuracy 0.1 % +/- 1 digit; digital damping 0.3 ... 30 sec (programmable)	
Current consumption	max. 60 mA (without switching current)	
Weight	approx. 350 g	
Operational life	100 million load cycles	
Ingress protection (device)	IP 65	



**Pin configuration**

Electrical connections	M12x1 (5-pin), plastic	
Supply +	1	
Supply -	3	
Signal +	2	
Contact 1	4	
Contact 2	5	
Shield	via pressure port	



© 2020 BDSENSORS GmbH – The specifications given in this document represent the state of engineering at the time of publishing. We reserve the right to make modifications to the specifications and materials.

## Ordering code DMD 831

DMD 831



<b>Pressure</b>											
differential pressure	7	3	2								
<b>Nominal pressure range [bar]</b>											
1.0			D	5							
2.0			D	6							
3.5			D	7							
7.0			D	8							
20			D	A							
35			D	B							
70			H	1							
customer			9	9						consult	
<b>Differential pressure range [bar]</b>											
1.0				1	0	0	1				
2.0				2	0	0	1				
3.5				3	5	0	1				
7.0				7	0	0	1				
20				2	0	0	2				
35				3	5	0	2				
70				7	0	0	2				
customer				9	9	9	9			consult	
<b>Analogue output</b>											
4 ... 20 mA / 3-wire							7				
customer							9			consult	
<b>Contact</b>											
1 contact PNP							1				
2 contacts PNP							2				
customer							9			consult	
<b>Accuracy</b>											
1% FSO BFSL							G				
customer							9			consult	
<b>Electrical connection</b>											
M12x1 (5-pin)							N	0	1		
customer							9	9	9	consult	
<b>Mechanical connection</b>											
G 1/2" DIN 3852							1	0	0		
G 1/2" EN 837							2	0	0		
G 1/4" DIN 3852							3	0	0		
G 1/4" EN 837							4	0	0		
1/2" NPT							N	0	0		
1/4" NPT							N	4	0		
customer							9	9	9	consult	
<b>Seal</b>											
FKM									1		
customer									9	consult	
<b>Special version</b>											
standard									0	0	0
customer									9	9	9

© 2020 BD|SENSORS GmbH - The specifications given in this document represent the state of engineering at the time of publishing. We reserve the right to make modifications to the specifications and materials.

09.11.2020