

# DMP 331P



## Industrial Pressure Transmitter

Process Connections with  
Flush Welded Stainless Steel  
Diaphragm

accuracy according to IEC 60770:  
standard: 0.35 % FSO  
option: 0.25 % FSO

### Nominal pressure

from 0 ... 100 mbar up to 0 ... 40 bar

### Output signals

2-wire: 4 ... 20 mA / 3-wire: 0 ... 10 V  
others on request

### Special characteristics

- ▶ hygienic version
- ▶ diaphragm with low surface roughness
- ▶ CIP / SIP cleaning up to 150 °C
- ▶ vacuum resistant

### Optional versions

- ▶ IS-version  
Ex ia = intrinsically safe  
for gases and dust
- ▶ SIL 2 version  
according to IEC 61508 / IEC 61511
- ▶ diaphragm in  
Hastelloy® or Tantalum
- ▶ cooling element for media  
temperatures up to 300 °C

The pressure transmitter DMP 331P was designed for use in the food / beverage and pharmaceutical industry. The compact design with hygienic versions makes it possible to achieve an outstanding performance in terms of accuracy, temperature behaviour and long term stability.

The modular construction concept allows a combination of various process connections with different filling fluids and a cooling element. Several electrical connections complete the profile of DMP 331P.

### Preferred areas of use are



Food and beverage



Pharmaceutical industry

### Material and test certificates

- ▶ Inspection certificate 3.1  
according to EN 10204
- ▶ Test report 2.2  
according to EN 10204



Input pressure range <sup>1</sup>									
Nominal pressure gauge	[bar]	-1...0	0.10	0.16	0.25	0.40	0.60	1	1.6
Nominal pressure absolute	[bar]	-	-	-	-	0.40	0.60	1	1.6
Overpressure	[bar]	5	0.5	1	1	2	5	5	10
Burst pressure ≥	[bar]	7.5	1.5	1.5	1.5	3	7.5	7.5	15

Nominal pressure gauge / absolute	[bar]	2.5	4	6	10	16	25	40
Overpressure	[bar]	10	20	40	40	80	80	105
Burst pressure ≥	[bar]	15	25	50	50	120	120	210
Vacuum resistance		$p_N > 1$ bar: unlimited vacuum resistance $p_N \leq 1$ bar: on request						

<sup>1</sup> consider the pressure resistance of fittings and clamps

Output signal / Supply	
Standard	2-wire: 4 ... 20 mA / $V_S = 8 \dots 32 V_{DC}$ SIL-version: $V_S = 14 \dots 28 V_{DC}$
Option IS-version	2-wire: 4 ... 20 mA / $V_S = 10 \dots 28 V_{DC}$ SIL-version: $V_S = 14 \dots 28 V_{DC}$
Options 3-wire	3-wire: 0 ... 20 mA / $V_S = 14 \dots 30 V_{DC}$ 0 ... 10 V / $V_S = 14 \dots 30 V_{DC}$

Performance	
Accuracy <sup>2</sup>	standard: nominal pressure < 0.4 bar: $\leq \pm 0.5$ % FSO nominal pressure ≥ 0.4 bar: $\leq \pm 0.35$ % FSO option:    nominal pressure ≥ 0.4 bar: $\leq \pm 0.25$ % FSO
Permissible load	current 2-wire: $R_{max} = [(V_S - V_{S \min}) / 0.02 A] \Omega$ current 3-wire: $R_{max} = 500 \Omega$ voltage 3-wire: $R_{min} = 10 k\Omega$
Influence effects	supply: 0.05 % FSO / 10 V      load: 0.05 % FSO / kΩ
Long term stability	$\leq \pm 0.1$ % FSO / year at reference conditions
Response time	2-wire: < 10 msec      3-wire: $\leq 3$ msec

<sup>2</sup> accuracy according to IEC 60770 – limit point adjustment (non-linearity, hysteresis, repeatability)

Thermal effects (offset and span) <sup>3</sup>			
Nominal pressure $p_N$	[bar]	-1 ... 0	< 0.40      ≥ 0.40
Tolerance band	[% FSO]	$\leq \pm 0.75$	$\leq \pm 1.5$ $\leq \pm 0.75$
in compensated range	[°C]	-20 ... 85	0 ... 50      -20 ... 85

<sup>3</sup> an optional cooling element can influence thermal effects for offset and span depending on installation position and filling conditions

Permissible temperatures		
Filling fluid	silicone oil	food compatible oil
Medium <sup>4</sup>	-40 ... 125 °C	-10 ... 125 °C
Medium with cooling element <sup>5</sup>	overpressure: -40 ... 300 °C vacuum: -40 ... 150 °C <sup>6</sup>	overpressure: -10 ... 250 °C vacuum: -10 ... 150 °C <sup>6</sup>
Electronics / environment	-40 ... 85 °C	
Storage	-40 ... 100 °C	

<sup>4</sup> max. temperature of the medium for nominal pressure gauge > 0 bar: 150 °C for 60 minutes with a max. environmental temperature of 50 °C

<sup>5</sup> max. temperature depends on the used sealing material, type of seal and installation

<sup>6</sup> also for  $p_{abs} \leq 1$  bar

Electrical protection	
Short-circuit protection	permanent
Reverse polarity protection	no damage, but also no function
Electromagnetic compatibility	emission and immunity according to EN 61326
Mechanical stability	
Vibration according to DIN EN 60068-2-6	G 1/2": 20 g RMS (25 ... 2000 Hz)      others: 10 g RMS (25 ... 2000 Hz)
Shock according to DIN EN 60068-2-27	G 1/2": 500 g / 1 msec      others: 100 g / 1 msec
Filling fluids	
Standard	silicone oil
Option	food compatible oil according to 21CFR178.3570 (Mobil SHC Cibus 32; Category Code: H1; NSF Registration No.: 141500) others on request

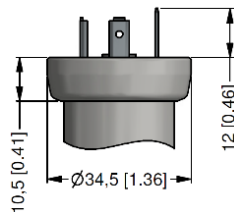
# DMP 331P

Industrial Pressure Transmitter

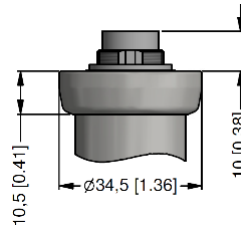
Technical Data

Materials					
Pressure port	stainless steel 1.4435 (316 L)				others on request
Housing	stainless steel 1.4404 (316 L)				
Option compact field housing	stainless steel 1.4301 (304); cable gland M12x1.5, brass, nickel plated (clamping range 2 ... 8 mm)				
Seals	standard: FKM (recommended for medium temperatures $\leq 200\text{ }^{\circ}\text{C}$ ) option: FFKM (recommended for medium temperatures $< 260\text{ }^{\circ}\text{C}$ ) Clamp, dairy pipe, Varivent <sup>®</sup> : without				others on request
Diaphragm	standard: stainless steel 1.4435 (316 L) option: Hastelloy <sup>®</sup> C-276 (2.4819)				Tantalum on request
Media wetted parts	pressure port, seal, diaphragm				
Explosion protection (only for 4 ... 20 mA / 2-wire)					
Approvals DX19-DMP 331P	IBExU 10 ATEX 1068 X / IECEx IBE 12.0027X zone 0: II 1G Ex ia IIC T4 Ga zone 20: II 1D Ex ia IIIC T135 $^{\circ}\text{C}$ Da				
Safety technical maximum values	$U_i = 28\text{ V}$ , $I_i = 93\text{ mA}$ , $P_i = 660\text{ mW}$ , $C_i \approx 0\text{ nF}$ , $L_i \approx 0\text{ }\mu\text{H}$ , the supply connections have an inner capacity of max. 27 nF to the housing				
Permissible temperatures for environment	in zone 0: $-20 \dots 60\text{ }^{\circ}\text{C}$ with $p_{\text{atm}}$ 0.8 bar up to 1.1 bar in zone 1 or higher: $-40/-20 \dots 70\text{ }^{\circ}\text{C}$				
Connecting cables (by factory)	cable capacitance: signal line/shield also signal line/signal line: 160 pF/m cable inductance: signal line/shield also signal line/signal line: 1 $\mu\text{H}/\text{m}$				
Miscellaneous					
EHDG certificate Type EL Class I	EHEDG conformity is only ensured in combination with an approved seal. This is e.g. for - Clamp (C61, C62, C63): T-ring-seal from Combifit International B.V. - Varivent <sup>®</sup> (P41): EPDM-O-ring which is FDA-listed - dairy pipe (M73, M75, M76): ASEPTO-STAR k-flex upgrade seal by Kieselmann GmbH				
Option SIL2 version <sup>7</sup>	according to IEC 61508 / IEC 61511				
Current consumption	signal output current: max. 25 mA signal output voltage: max. 7 mA				
Surface roughness	pressure port $R_a < 0.8\text{ }\mu\text{m}$ (media wetted parts) diaphragm $R_a < 0.15\text{ }\mu\text{m}$ weld seam $R_a < 0.8\text{ }\mu\text{m}$				
Weight	min. 200 g (depending on process connection)				
Installation position	any (standard calibration in a vertical position with the pressure port connection down; differing installation position for $p_N \leq 2\text{ bar}$ have to be specified in the order)				
Operational life	100 million load cycles				
CE-conformity	EMC Directive: 2014/30/EU				
ATEX Directive	2014/34/EU				
<sup>7</sup> only for 4 ... 20 mA / 2-wire					
Wiring diagrams					
2-wire-system (current)			3-wire-system (current / voltage)		
Pin configuration					
Electrical connection	ISO 4400	Binder 723 (5-pin)	M12x1 / metal (4-pin)	compact field housing	cable colours (IEC 60757)
Supply +	1	3	1	$V_{S+}$	WH (white)
Supply -	2	4	2	$V_{S-}$	BN (brown)
Signal + (only 3-wire)	3	1	3	S+	GN (green)
Shield	ground pin $\oplus$	5	4	GND	GNYE (green-yellow)

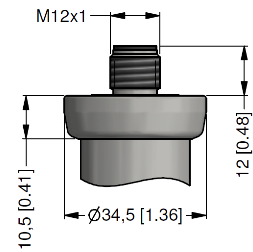
## Electrical connections (dimensions mm / in)



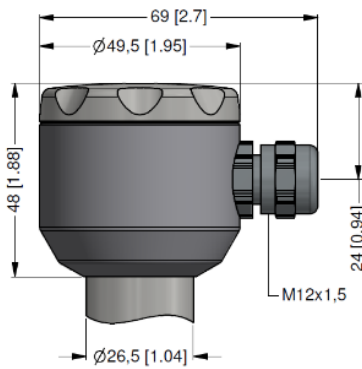
ISO 4400  
(IP 65)



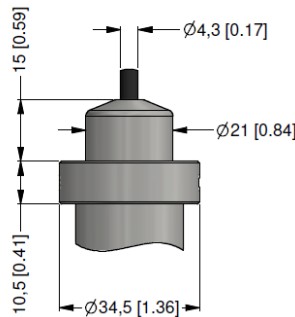
Binder series 723, 5-pin  
(IP 67)



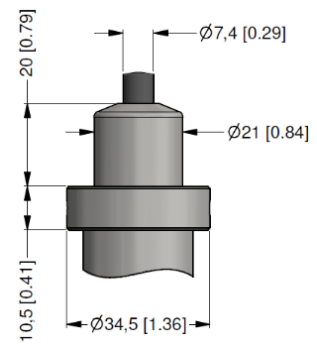
M12x1, 4-pin  
(IP 67)



compact field housing  
(IP 67)



cable outlet with PVC cable  
(IP 67)<sup>8</sup>



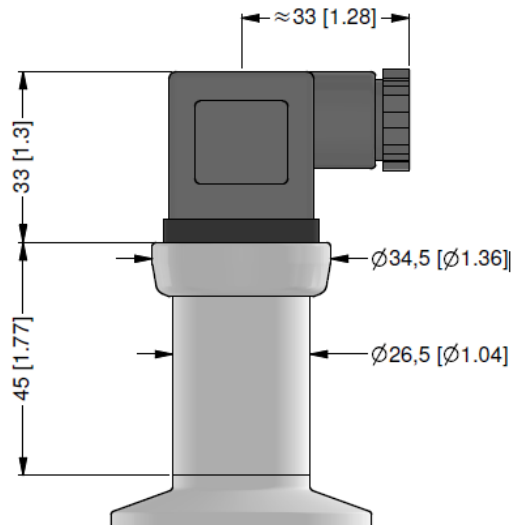
cable outlet,  
cable with ventilation tube  
(IP 68)<sup>9</sup>

⇒ universal field housing stainless steel 1.4404 (316 L) with cable gland M20x1.5 (ordering code 880) and other versions on request

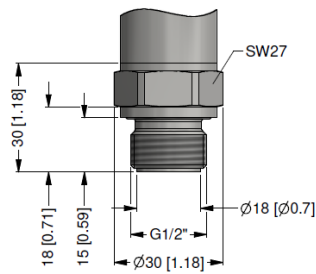
<sup>8</sup> standard: 2 m PVC cable without ventilation tube (permissible temperature: -5 ... 70°C)

<sup>9</sup> different cable types and lengths available, permissible temperature depends on kind of cable

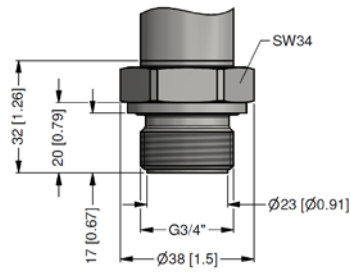
## Dimensions (mm / in)



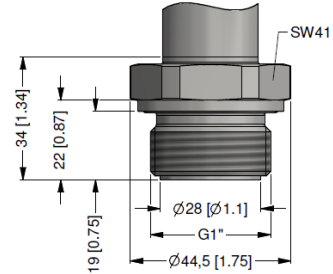
**Mechanical connection (dimension mm / in)**



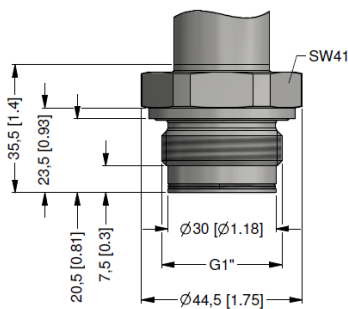
G1/2" flush DIN 3852  
p<sub>N</sub> ≥ 1 bar



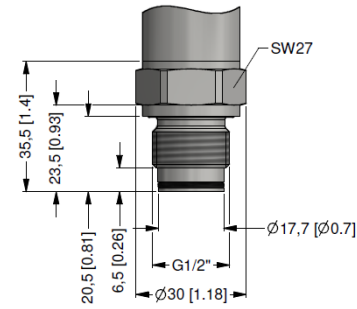
G3/4" flush DIN 3852



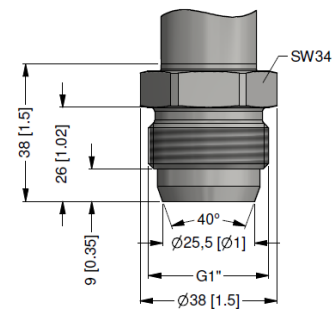
G1" flush DIN 3852



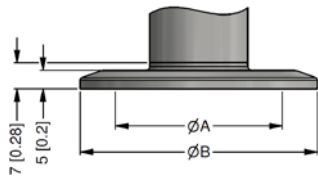
G1" flush with radial o-ring



G1/2" flush with radial o-ring  
p<sub>N</sub> ≥ 1 bar

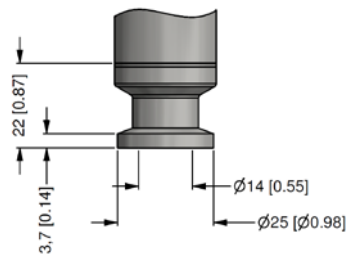


G1" cone

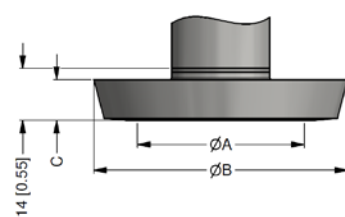


Clamp (DIN 32676)

size	DN 25	DN 32	DN 50
A	23.0 [0.91]	23.0 [0.91]	45 [1.77]
B	50.5 [1.99]	50.5 [1.99]	64 [2.52]
p <sub>N</sub> [bar]	0.25 ... 16	≤ 16	≤ 16

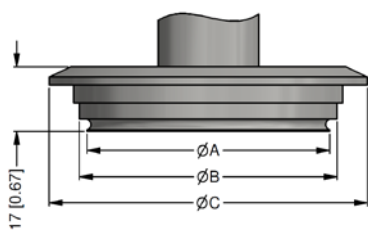


Clamp 3/4" (DIN 32676)  
4 bar ≤ p<sub>N</sub> ≤ 8 bar



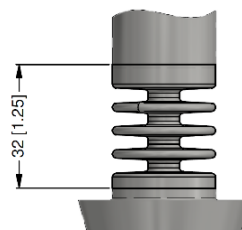
dairy pipe (DIN 11851)

size	DN 25	DN 40	DN 50
A	23 [0.91]	32 [1.26]	45 [1.77]
B	44 [1.73]	56 [1.20]	68.5 [2.70]
C	10 [0.39]	10 [0.39]	11 [0.43]
p <sub>N</sub> [bar]	≤ 40	≤ 40	≤ 25



Varivent® DN 40/50  
p<sub>N</sub> ≤ 25 bar

size	DN 40/50
A	64 [2.52]
B	68 [2.68]
C	84 [3.31]



cooling element up to 300 °C<sup>10</sup>  
(optionally)

- ⇨ **SIL- and SIL-Ex version: total length increases by 26.5 mm!**
- ⇨ **metric threads and other versions on request**

<sup>10</sup> max. temperature depends on the used sealing material, type of seal and installation

© 2024 BD|SENSORS GmbH – The specifications given in this document represent the state of engineering at the time of publishing. We reserve the right to make modifications to the specifications and materials.

